



Portable lifter perfect for lifting and transporting heavy loads

BD 400 is a portable electric elevator universal for height adjustment heavy load safely.

Thanks to its unique construction, lifting charge as close as possible to a wall is possible.

This is the lifting device suitable for all yards or workshops.

It is easily transported for an immediate action.

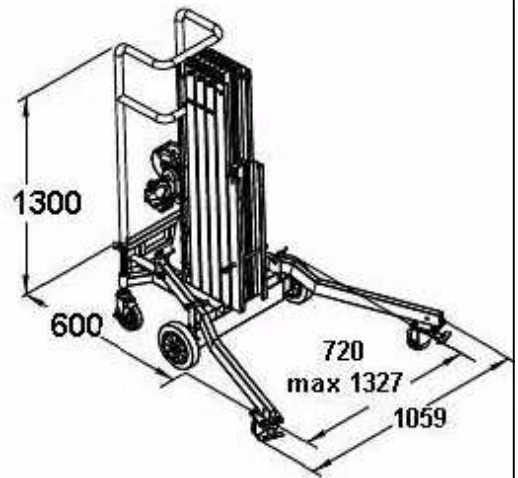
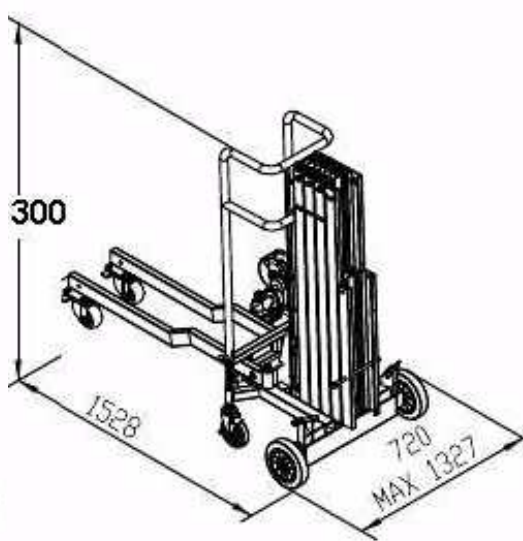
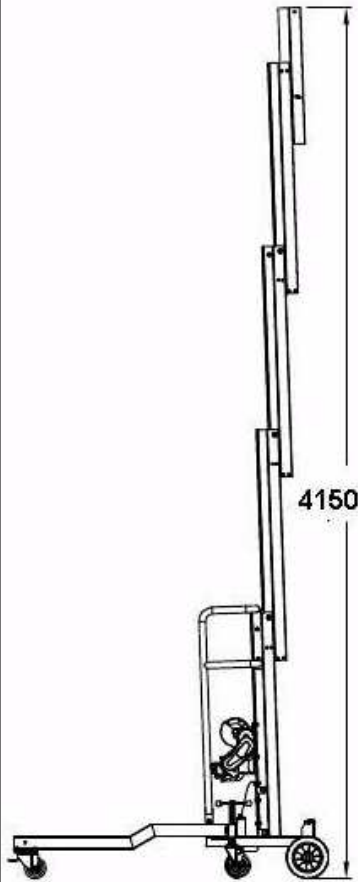
- Mast with aluminium anti-torsions rails
- Immediate use on site, activated in seconds without tools
- Use possible on sloping ground thanks to the specific adjustment of the feet (in front the mast)
- Electric motor 230 V - 50 / 60 Hz (110 V also available)
- The **variable speed** control can be soft start or adjust the micro operating height.
- Emergency Stop Button, for stop raising / lowering immediately.
- Manual operation in case of power failure
- **Automatic clutch breaker**: prevent over weight loading
- Adjustable wheel base



Max. load capacity	Weight
250 kg	100 kg

Equipped with fork + jib



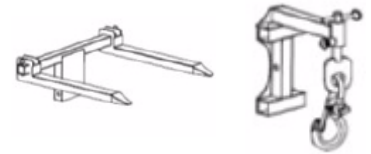


Two possibilities to work

- Legs in front the mast
- Legs behind the mast with counter weight

Delivered with

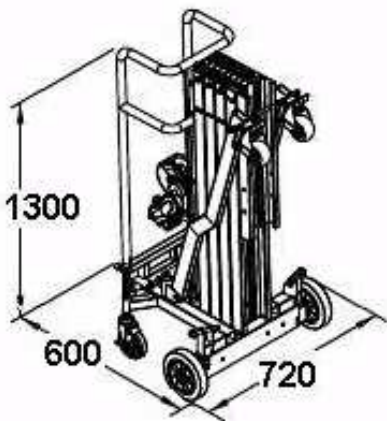
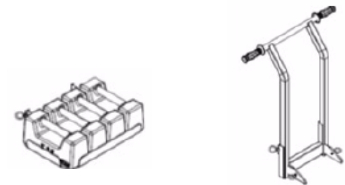
- Fork
- Jib



Accessories

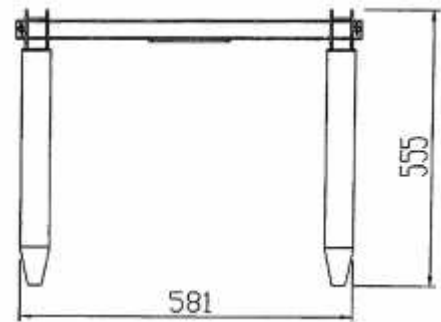
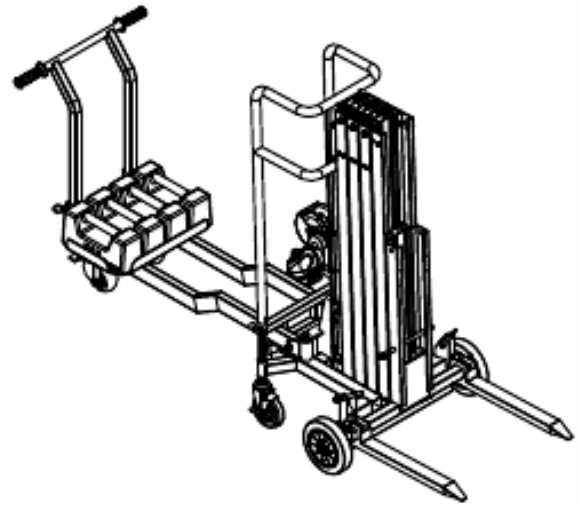
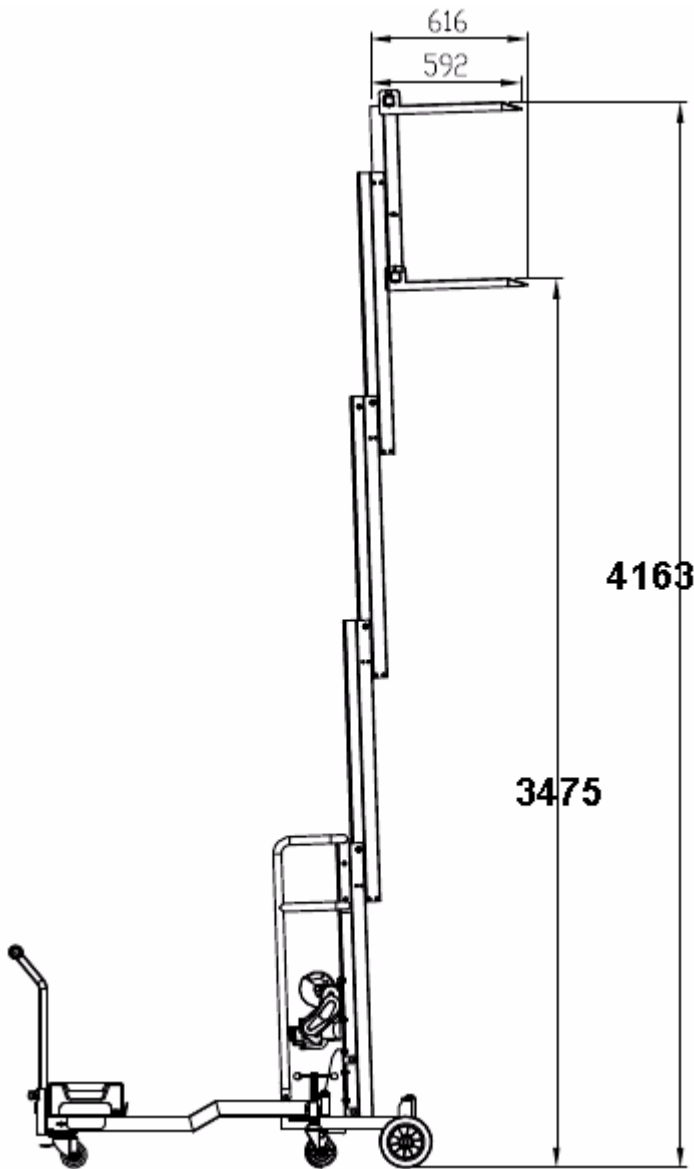
To work close to the wall :

- 4 x counter weight
- 1 x carry handle

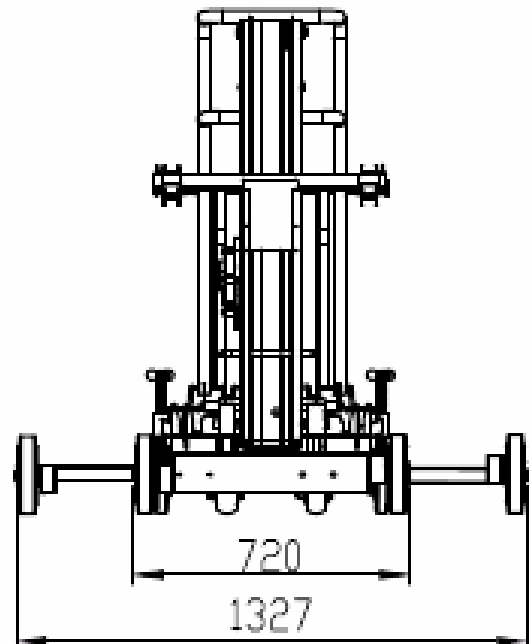
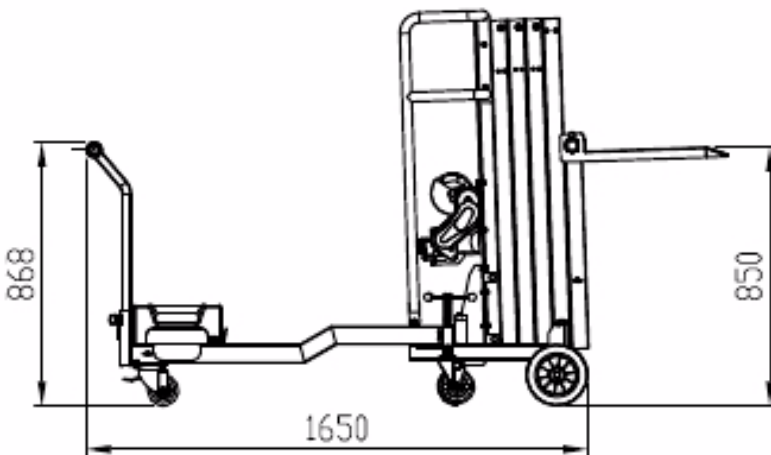


- Platform
- Glas cradle 180 kg for over head glazing
- Glas cradle 250 kg for front glazing

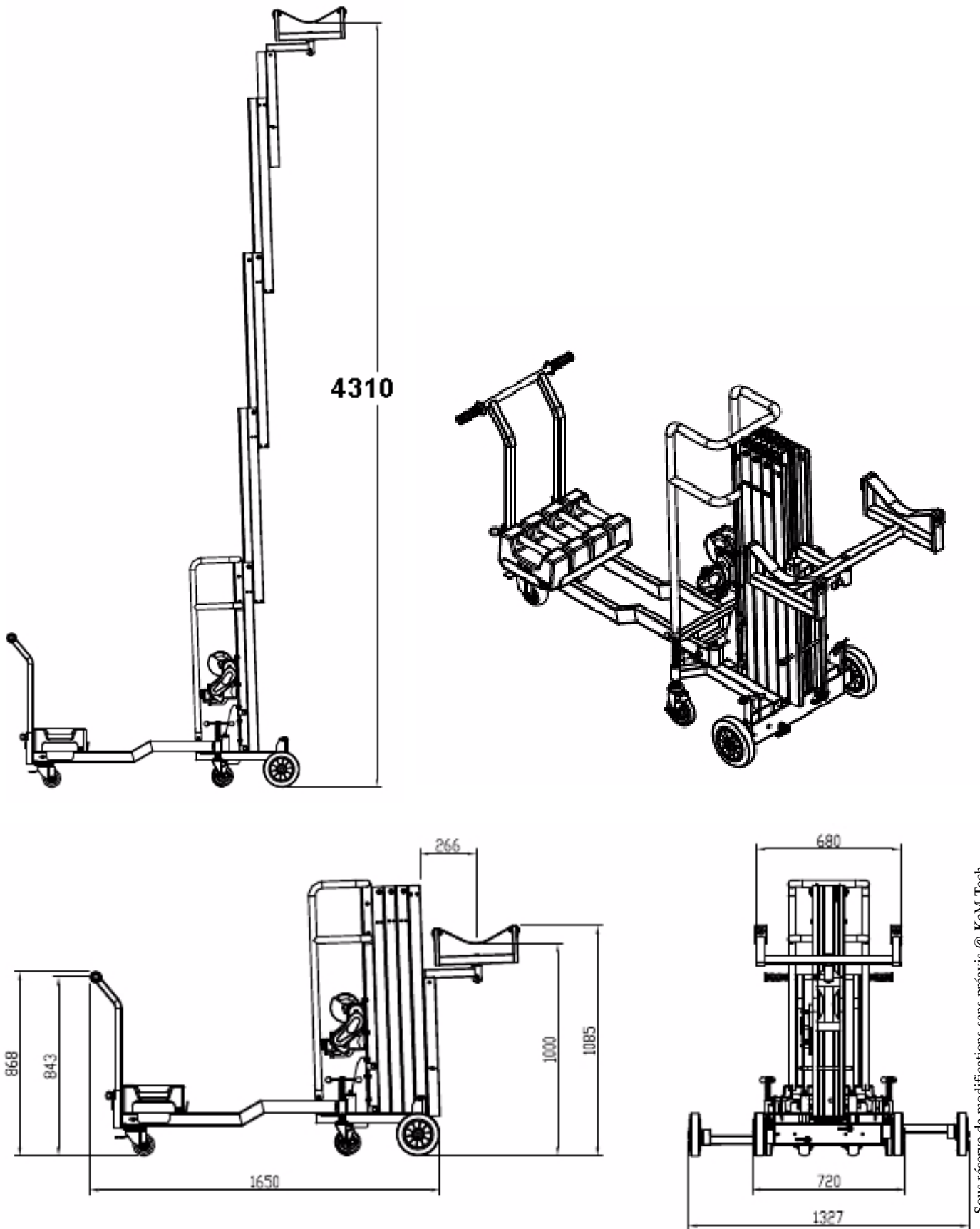




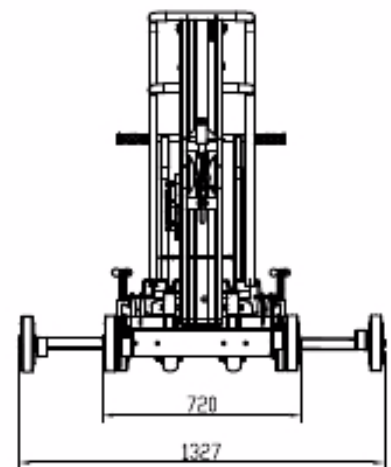
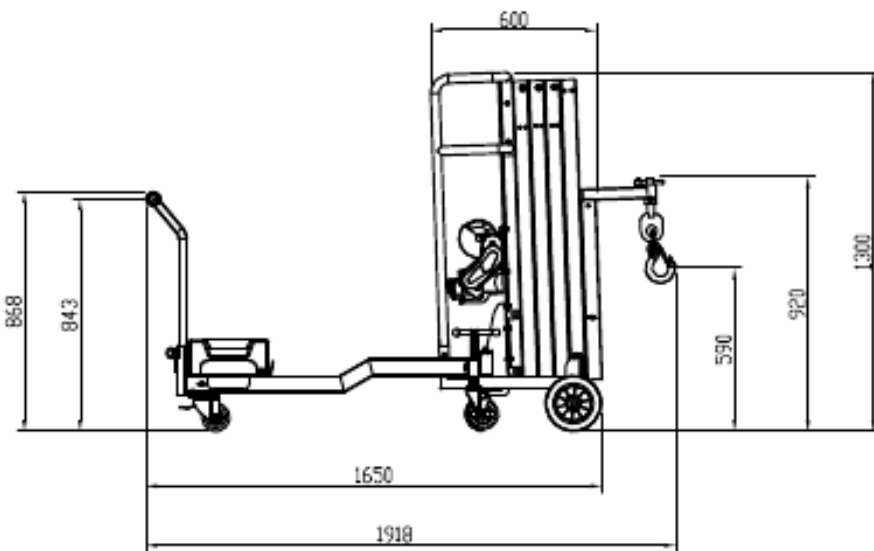
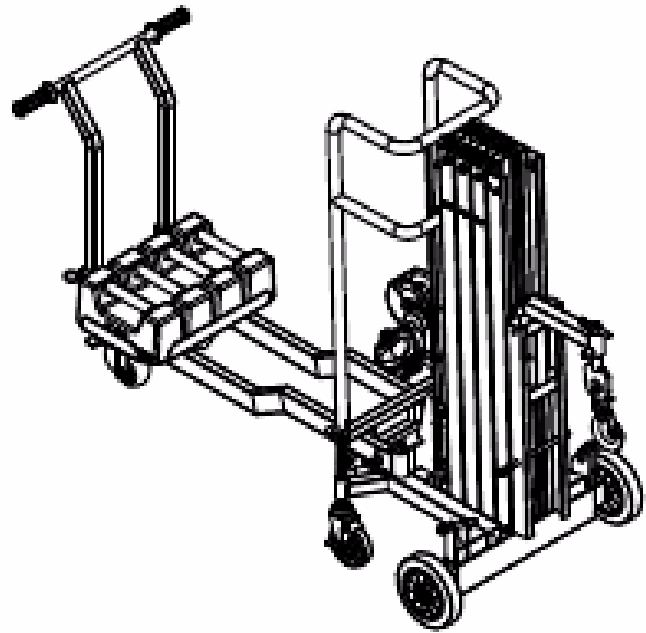
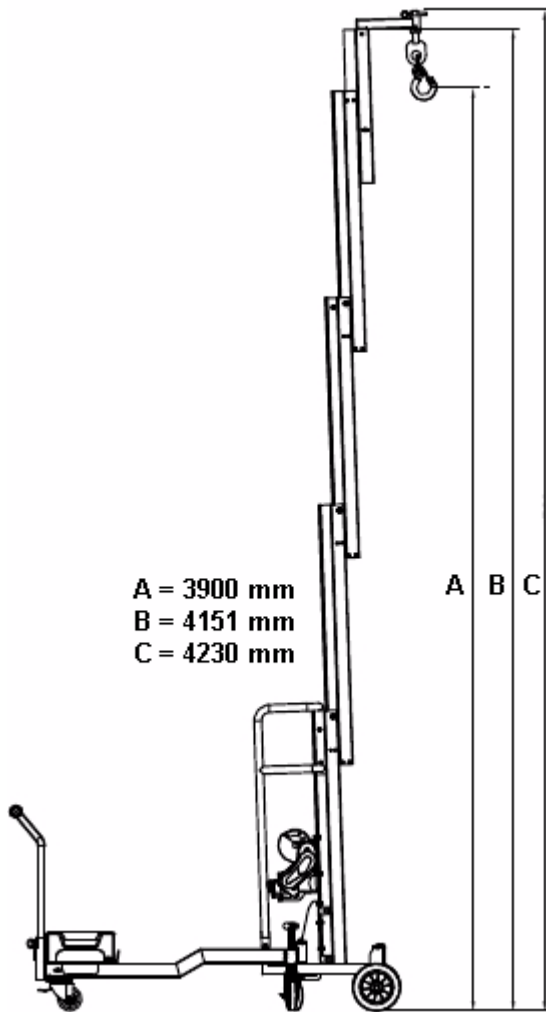
Adjustable width



Sous réserve de modifications sans préavis @ KeM.Tech



Sous réserve de modifications sans préavis @ KeM.Tech



Sous réserve de modifications sans préavis @ KeM.Tech



